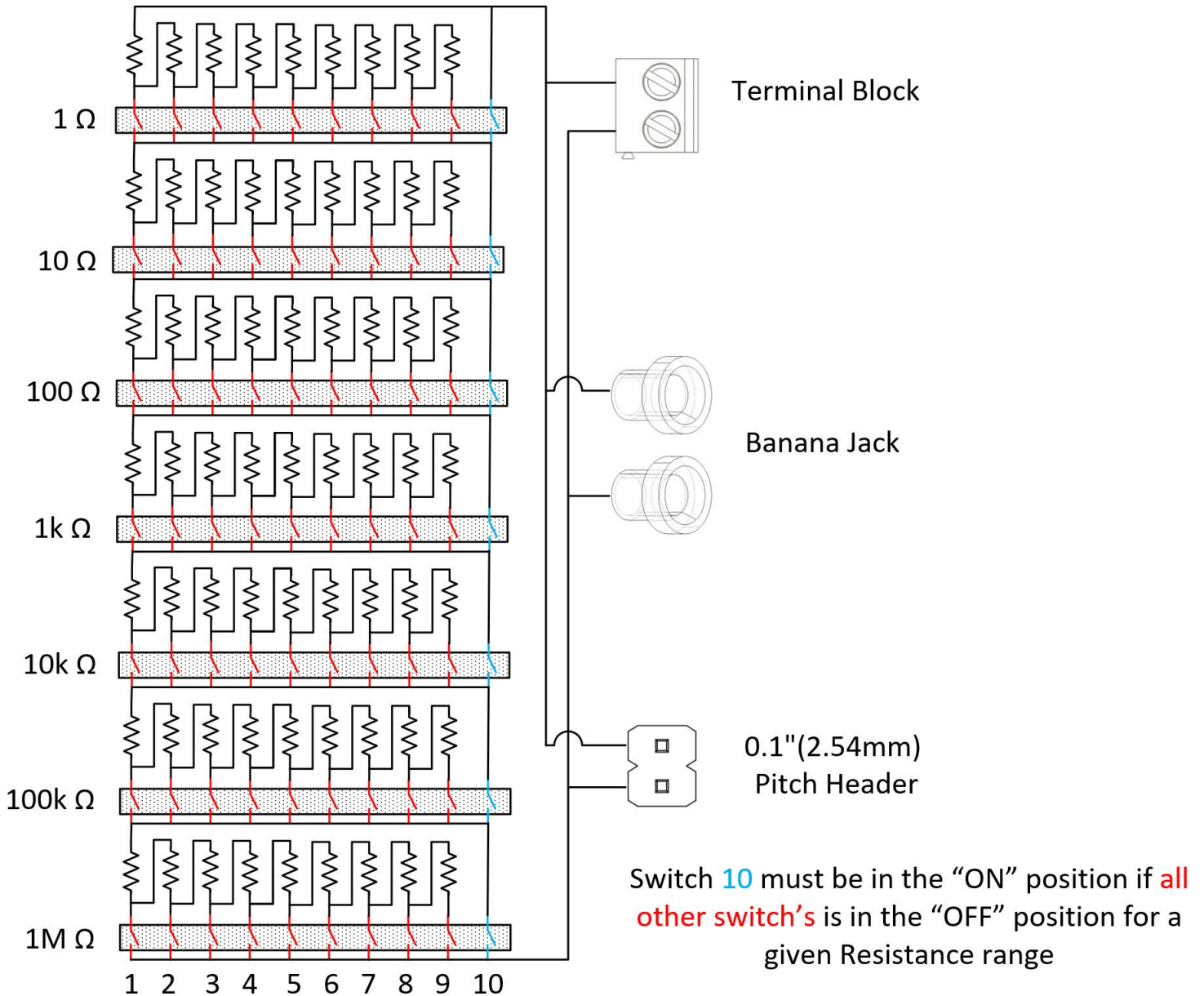




## 7 Decade Resistance Board 0Ω – 10MΩ 1%



All resistors are 1% tolerance and 0.25 Watt capable. 1Ω step resolution from 0Ω to 10 MΩ

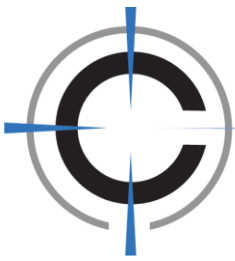
Switch contact rating 24V 25mA (turning switch on/off)

Switch non-contact rating 100mA (not turning switch on/off)

Switch contact rating

Initial: ≤ 50mΩ

End of Life ≤ 100mΩ



## Mechanical Dimensions

