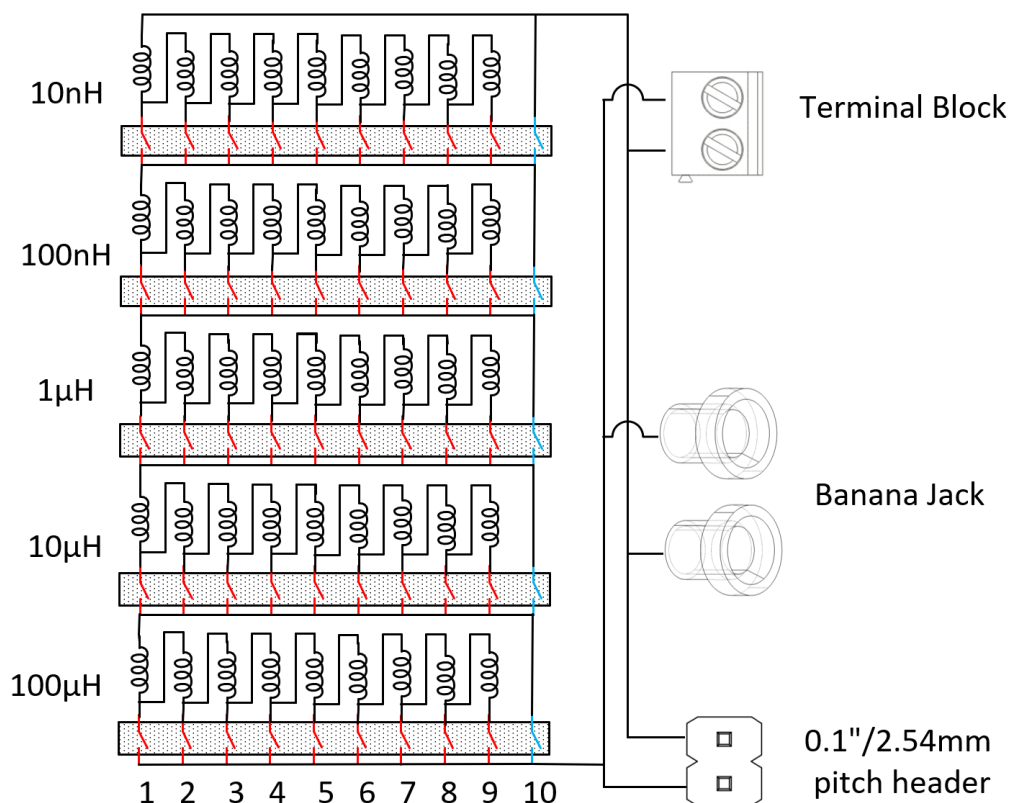




5 Decade Inductor Board 0nH – 1mH



Switch 10 must be in the "ON" position if all other switch's is in the "OFF" position for a given Inductance range

Tolerance Range

100µH ± 10%

10µH ± 20%

1µH ± 10%

100nH ± 2%

10nH ± 2%

Switch Contact Rating

24V 25mA (turning switch on/off)

100mA (not turning switch on/off)

Initial Resistance: ≤ 50mΩ

End of Life Resistance: ≤ 100mΩ



Mechanical Dimensions

